

■ 组合轴承

Combined radial/axial bearings

滚针-角接触球轴承NKIA Needle roller-angular contact ball bearings NKIA

这种滚针-角接触球轴承是特别节省空间的滚动轴承，用于承受径向重载荷和轴向轻载荷。滚针承受径向载荷。轴向载荷不能大于径向载荷的25%。如轴向力沿双方向作用时，在轴承间距不大下，则可安装两个彼此相对作用的滚针-角接触球轴承。

This kind of bearings will greatly save the space of the rolling bearing, used for radical heavy load or axile light load. The needles bear the radical load. Axile load will not be greater than 25% of the radical load. If the axial force effects in two directions, two needle-angular contact ball bearings which will effect each other can be fitted when the spaces between the bearings are not big.



滚针-角接触球轴承NKIB Needle roller-angular contact ball bearings NKIB

此双向受力的滚针-角接触轴承可以承受径向重载荷和双向轴向轻，使轴在轴向定位；其轴向间隙为0.08到0.25mm。轴向载荷也不能大于轴承径向载荷的25%。分离式的两内圈是为了便于组装，但它们不能互换；两半内圈应轴向紧固在一起。

This is kind of NF needle-angular contact ball bearing double diectional forces, the heavy radical load and the double axile light loads, this will make the shaft positioned in axial direction. The axile direction gap is 0.08-0.25mm. Axial load can not be greater 25% of radical load. The two separate inner rings are convenient for fitting, but they can not be exchanged. The two halves will be clamped tightly in axial direction.



滚针-推力球轴承NX和NX...Z Needle roller thrust ball bearings NX and NX...Z

滚针-推力球轴承可以承受径向载荷及经由密装滚针承受中等单向轴向载荷。这种节省空间的轴承可允许轴与轴之间的距离非常小（例如：多轴镗头或多轴钻头单元）。中心距的最小尺寸就是轴承外径的尺寸。轴承可以经由外圈上的外止动环、轴承座孔台肩或轴承座孔上的内止动环支承以承受轴向载荷。

NX系列轴承座应使用油润滑。在固定罩壳上有油孔。NX...Z系列适合用脂润滑，固定罩壳与轴的定位圈结合形成间隙密封。

滚针-推力球轴承是无内圈的，因此轴上的滚道须经淬火和磨削。如果轴未经淬火，亦可以提供内圈（见尺寸表）。

如果两滚针-推力球轴承彼此相向安装，则可以承受交变式的轴向载荷。对不受载荷的轴承建议用弹簧进行预紧。弹簧预紧也可补偿轴的热膨胀，有助于降低运行噪音。当转速大于 $0.2n_{oil}$ 时预紧值应是轴向额定动负荷C的1%到2%。

■ 组合轴承

Combined radial/axial bearings

滚针-推力圆柱滚子轴承NKXR和NKXR...Z
Needle roller cylindrical roller bearings NKXR and NKXR...Z

滚针-推力滚子轴承NKXR系列双NKX系列轴承具有较大的轴向负荷能力，也可供应带有固定罩壳的轴承（后缀“Z”）
至于有关密封，内圈和双向轴向负荷能力，详细情况与NX和NX...Z系列相同。

These are bearings series which have bigger axial load capacity. The bearings with fixed cages can also supplied (suffixed with "Z")

As to the relative sealing, the inner ring and double directional axial load, the details are the same as NX AND NX...Z.



滚针-深沟球轴承NJA59和DNJB59
Needle roller-deep groove ball bearings NJA59 and DNJB59

此两种系列的组合式轴承是不可分离型的，它承受交变式的轴向载荷。轴承具有0.1~0.3mm的轴向游隙。
Non-separable and transmit axial loads in both directions with an axial clearance of 0.1 to 0.3mm.



滚针-推力滚针轴承RAX700和RAXF700
Needle roller-needle roller thrust bearings RAX700 and RAXF700

此两种系列的组合轴承是冲压成形的，能最大限度节省空间。能承受径向轻负荷和轴向重负荷。
For applications with light radial load and axial load conditions



滚针-推力圆柱滚子轴承RAX400和RAX500
Needle roller-cylindrical roller bearings RAX400 and RAX500

此两种系列的组合轴承能承受径向重负荷和轴向重负荷。且RAX500比RAX400的轴向承载能力更强。
For applications with heavy radial load and axial load conditions, radial and axial load rating of RAX500 series is higher than RAX400 series



滚针-推力圆柱滚子轴承RAXPZ400和RAXZ500
Needle roller-cylindrical roller thrust bearings RAXPZ400 and RAXZ500

此两种系列的组合轴承能承受径向重负荷和轴向重负荷。适用于安装面不能作为滚道的使用环境。
For applications without support surfaces to be used as raceways



■ 组合轴承

Combined radial/axial bearings

滚针-推力圆柱滚子轴承ZARN和ZARN...L

Needle roller-cylindrical roller thrust bearings ZARN and ZARN...L

是双向推力轴承，中圈同时作为向心滚针轴承外圈，内圈的宽度同中圈和推力滚子相配后以便当拧紧锁紧螺母时能得到额定的轴向预负荷。

Axial cylindrical roller and radial needle roller bearing. Double direction thrust bearing, the center ring is also act as outer ring for radial needle roller bearing.



滚针-推力圆柱滚子轴承ZARF和ZARF...L

Needle roller-cylindrical roller thrust bearings ZARF and ZARF...L

该系列轴承的中圈适用于法兰安装并且具有径向和轴向的进油口和出油口，接头螺孔供作安装密封座组件之用。

Axial cylindrical roller and radial needle roller bearing with mounting flange, the center ring with oil slot is for mounting, flange and screw for mounting seal accessories.



■ 组合轴承

Combined radial/axial bearings

标准级轴承 Standard grade bearings

所供应的这些系列轴承，其尺寸公差和几何精度符合DIN 620的公差级别P0，并有正常原始径向间隙Co。唯一例外的是NKIB系列中较窄内圈的孔径，其公差较大些以便于k5公差的轴形成过渡配合。内圈总宽度公差是0到-0.3mm。滚针内切圆直径在F6公差范围内。表1所列公差适用于一般用途的安装。

For all bearings supplied, the dimensional tolerances and geometric precision are in compliance with DIN 620 and the tolerance grade of P0 with normal radical gap Co. The only exception is NKIB series which have narrower inner aperture with bigger tolerance so that they can be used with the shaft with K5 tolerance in transit combination.

Table 1 shows the tolerances applicable to the fitting for general purposes:

系列 Series	轴公差 Shaft tolerances		孔公差 Housing tolerances
	无内圈 Without inner rings	有内圈 With inner rings	
滚针-角接触球轴承 NKIA Needle roller-angular contact ball bearings	—	k6	M6
滚针-角接触球轴承 NKIB Needle roller-angular contact ball bearings			
滚针-推力圆柱滚子轴承 NKXR Needle roller-cylindrical roller trust bearings	k6	k6	K6 M6(刚性支撑/Rigid support)
滚针-深沟球轴承 NJA59 和DNJB59 Needle roller-deep groove ball bearings	—	k6	M6
滚针-推力滚针轴承RAX700和RAXF700 Needle roller-trust needle roller trust bearings			
滚针-推力圆柱滚子轴承 RAX400和RAX500 Needle roller-cylindrical roller trust bearings			
滚针-推力圆柱滚子轴承 RAXPZ400和RAXZ500 Needle roller-cylindrical roller trust bearings			
滚针-推力圆柱滚子轴承 ZARN和ZARN...L Needle roller-cylindrical roller trust bearings	—	h5	J6
滚针-推力圆柱滚子轴承 ZARF和ZARF...L Needle roller-cylindrical roller trust bearings	—	h5	J6

1) 轴承座孔中，推力轴承部分的直径，必须至少比公称直径D1或D2大0.5mm以防干涉配合。

2) 为了保证正常的性能，不能使用比k5的轴、M6的孔更紧的配合。

1) In bearing hole, the diameter of the thrust bearings must be 0.5mm bigger than nominal diameter D1 or D2 to avoid interference combination.

2) To ensure normal functions, no closer combination than k5 shaft and M6 hole should be used.

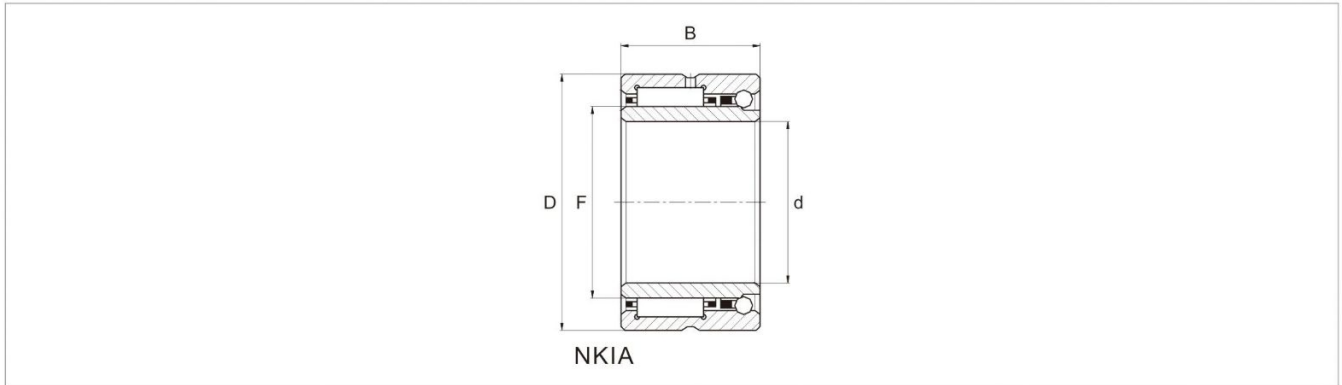
特殊要求 Special requirements

若要求精度较高的轴承配置，对所列出的轴承系列可以提供符合DIN 620 P6和P5的公差等级。NKIA和NKIB系列轴承仅可以提供C2到C3之间的原始径向间隙。

If the bearings combination of high precision, the listed bearings in compliance DIN 620 P6 AND P5 grades tolerances can be supplied.

For NKIA and NKIB series bearings, only the bearings with initial radical gap between C2 to C3 can be supplied.

■ 滚针-角接触球轴承单向受力 Needle roller/angular contact ball bearings single direction

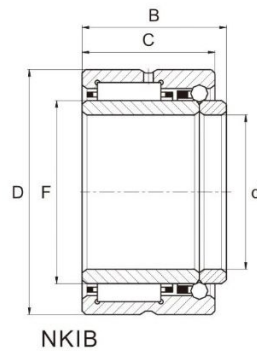


轴径 Shaft Diameter	轴承型号 Bearing Designation	重量 Mass	外形尺寸 Boundary Dimensions				基本额定负荷 Basic Load Rating				极限转速 Limiting Speed
			d	F	D	B	径向 Radial		轴向 Axial		
							动Dyn. Cr	静Stat. Cor	动Dyn. Ca	静Stat. Coa	
mm	g	mm				N				rpm	
12	NKIA 5901	40	12	16	24	16	5 047	6 352	2 010	1 620	23 000
15	NKIA 5902	50	15	20	28	18	8 400	9 600	2 140	2 070	21 000
17	NKIA 5903	56	17	22	30	18	8 800	10 600	2 340	2 370	20 000
20	NKIA 5904	103	20	25	37	23	18 000	21 000	3 140	3 900	17 000
22	NKIA 59/22	118	22	28	39	23	19 500	25 500	3 550	4 200	15 000
25	NKIA 5905	130	25	30	42	23	20 500	27 000	3 600	4 800	14 000
30	NKIA 5906	147	30	35	47	23	22 500	31 500	4 050	5 400	13 000
35	NKIA 5907	243	35	42	55	27	28 000	46 000	5 700	7 500	11 000
40	NKIA 5908	315	40	48	62	30	39 000	55 050	6 000	8 900	9 000
45	NKIA 5909 X	375	45	52	68	30	40 500	68 900	6 300	10 500	8 500
50	NKIA 5910 X	380	50	58	72	30	42 500	75 000	6 890	11 800	8 000
55	NKIA 5911	550	55	63	80	34	50 800	96 000	8 050	14 500	7 000
60	NKIA 5912	590	60	68	85	34	56 400	98 000	9 500	15 800	6 500
65	NKIA 5913 X	635	65	72	90	34	57 500	106 000	9 800	17 000	6 500
70	NKIA 5914	980	70	80	100	40	79 050	152 000	11 800	22 500	5 500

- 1) 球轴承的保持架由塑料制成，允许工作温度：120 °C 连续；180 °C 短期。
 2) 油润滑极限转速为表列值的 60 %。

- 1) The ball cages are made of plastic, permissible operating temperature: 120 °C (continuous operation).
 2) Limiting speed for oil lubrication.
 For grease lubrication, 60% of the values given in the tables is permissible.

■ 滚针-角接触球轴承双向受力 Needle roller/angular contact ball bearings single direction



轴径 Shaft Diameter	轴承型号 Bearing Designation	重量 Mass	外形尺寸 Boundary Dimensions					基本额定负荷 Basic Load Rating				极限转速 Limiting Speed
			d	F	D	B	C	径向 Radial		轴向 Axial		油润滑 Oil
								动 Dyn. Cr	静 Stat. Cor	动 Dyn. Ca	静 Stat. Coa	
mm	g	mm					N				rpm	
12	NKIB 5901	43	12	16	24	17.5	16	7 600	8 300	2 160	1 940	23 000
15	NKIB 5902	52	15	20	28	20	18	10 600	13 600	2 340	2 370	21 000
17	NKIB 5903	58	17	22	30	20	18	11 000	14 600	2 500	2 750	20 000
20	NKIB 5904	107	20	25	37	25	23	21 000	25 500	3 950	4 200	17 000
22	NKIB 59/22	122	22	28	39	25	23	22 800	29 500	4 250	4 850	15 000
25	NKIB 5905	134	25	30	42	25	23	23 600	31 500	4 350	5 200	14 000
30	NKIB 5906	151	30	35	47	25	23	25 000	35 500	4 750	6 300	13 000
35	NKIB 5907	247	35	42	55	30	27	31 500	50 000	6 000	8 400	11 000
40	NKIB 5908	320	40	48	62	34	30	43 000	67 000	7 400	10 900	9 000
45	NKIB 5909 X	380	45	52	68	34	30	45 000	73 000	7 700	12 000	8 500
50	NKIB 5910 X	385	50	58	72	34	30	47 000	80 000	8 100	13 700	8 000
55	NKIB 5911	555	55	63	80	38	34	58 000	100 000	9 700	16 600	7 000
60	NKIB 5912	595	60	68	85	38	34	60 000	108 000	10 000	17 900	6 500
65	NKIB 5913 X	640	65	72	90	38	34	61 000	112 000	10 300	19 300	6 500
70	NKIB 5914	985	70	80	100	45	40	84 000	156 000	13 500	25 000	5 500

1) 球轴承的保持架由塑料制成，允许工作温度：120℃连续，180℃短期。

2) 脂润滑极限转速为表列值的60%。

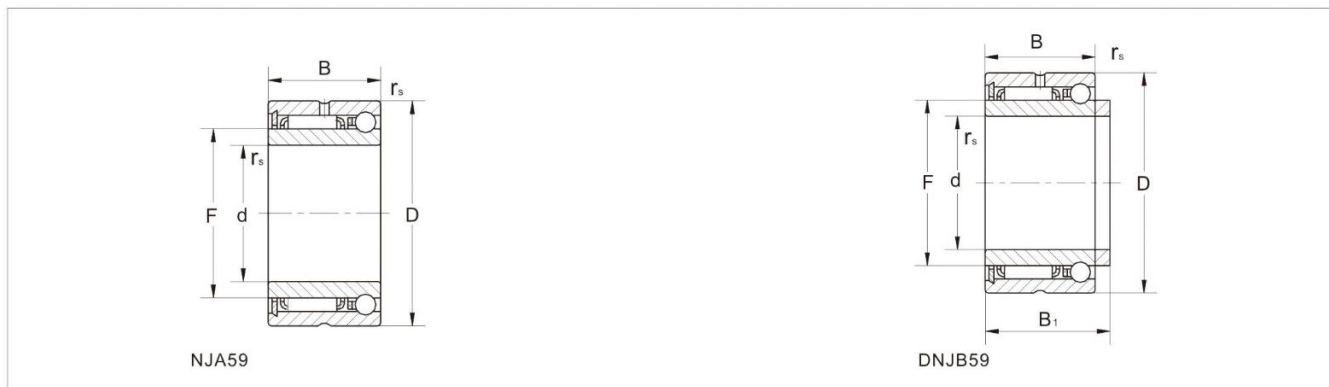
1) The ball cages are made of plastic, permissible operating temperature: 120℃ (continuous operation).

2) Limiting speed for oil lubrication.

With grease lubrication, 60% of the values given in the tables is permissible.

■ 滚针-深沟球轴承

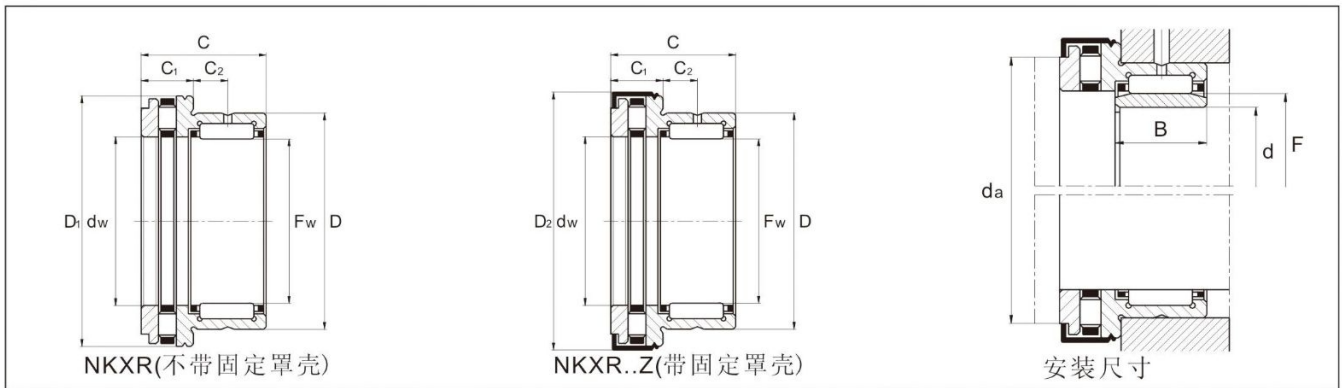
Needle roller-deep groove ball bearings



轴径 Shaft Diameter	轴承型号 Bearing Designation	外形尺寸 Boundary Dimensions						基本额定负荷 Basic Load Rating				极限转速 Limiting Speed		重量 Mass
		d	F	D	B	B ₁	r _s	径向 Radial		轴向 Axial		油润滑 Oil	脂润滑 Grease	
								动 Dyn. Cr	静 Stat. Cor	动 Dyn. Ca	静 Stat. Coa			
mm		mm						N				rpm		g
12	NJA5901	12	16	24	16	-	0.3	6 200	7 800	2 120	960	24 000	15 000	0.038
15	NJA5902	15	20	28	18	-	0.3	7 800	11 400	2 400	1 240	20 000	13 000	0.05
	DNJB5902	15	20	28	18	20	0.3	7 800	11 400	2 400	1 240	20 000	13 000	0.052
22	NJA59/22	22	28	39	23	-	0.3	14 000	20 400	4 500	2 500	15 000	9 000	0.12
	DNJB59/22	22	28	39	23	25	0.3	14 000	20 400	4 500	2 500	15 000	9 000	0.124
25	NJA5905	25	30	42	23	-	0.3	14 400	21 200	4 800	2 840	14 000	8 500	0.13
	DNJB5905	25	30	42	23	25	0.3	14 400	21 200	4 800	2 840	14 000	8 500	0.133
30	NJA5906	30	35	47	23	-	0.3	16 000	25 600	4 900	3 200	12 000	7 500	0.147
	DNJB5906	30	35	47	23	25	0.3	16 000	25 600	4 900	3 200	12 000	7 500	0.151
40	NJA5908	40	48	62	30	-	0.6	26 800	48 800	8 300	5 800	8 500	5 600	0.347
	DNJB5908	40	48	62	30	34	0.6	26 800	48 800	8 300	5 800	8 500	5 600	0.364
45	NJA5909	45	52	68	30	-	0.6	27 600	52 400	8 600	6 400	8 000	5 300	0.401
	DNJB5909	45	52	68	30	34	0.6	27 600	52 400	8 600	6 400	8 000	5 300	0.418
50	NJA5910	50	58	72	30	-	0.6	28 400	56 800	8 900	6 800	7 000	4 800	0.41
	DNJB5910	50	58	72	30	34	0.6	28 400	56 800	8 900	6 800	7 000	4 800	0.431
55	NJA5911	55	63	80	34	-	1	33 200	64 000	10 500	8 300	6 700	4 500	0.59
	DNJB5911	55	63	80	34	38	1	33 200	64 000	10 500	8 300	6 700	4 500	0.613
60	NJA5912	60	68	85	34	-	1	35 200	70 400	10 700	8 800	6 000	4 000	0.632
	DNJB5912	60	68	85	34	38	1	35 200	70 400	10 700	8 800	6 000	4 000	0.657

■ 滚针-推力圆柱滚子轴承

Needle roller-axial cylindrical roller bearings



轴径 Shaft Diameter	轴承型号与近似重量 Bearing Designation and mass approx				外形尺寸 Boundary Dimensions					基本额定负荷 ^{注1} Basic Load Rating				极限转速 Limiting Speed	安装尺寸 Mounting Dimension
	不带固定罩壳 Without Retaining Cap	重量 Mass g	带固定罩壳 With Retaining Cap	重量 Mass g	Fw	D	C	C ₁	d _w	径向	轴向	油润滑 Oil	da		
										动 Dyn. Cr	静 Stat. Cor			动 Dyn. Ca	静 Stat. Coa
mm					mm					N				rpm	mm
15	NKXR 15	42	NKXR 15 Z	45	15	24	23	9	15	9 670	9 850	10 900	24 500	11 000	23.7
17	NKXR 17	50	NKXR 17 Z	53	17	26	25	9	17	9 860	13 800	12 800	32 800	10 000	25.7
20	NKXR 20	80	NKXR 20 Z	84	20	30	30	10	20	12 000	20 500	20 900	50 600	8 500	30.7
25	NKXR 25	120	NKXR 25 Z	125	25	37	30	11	25	14 500	29 500	31 500	73 500	7 000	37.7
30	NKXR 30	135	NKXR 30 Z	141	30	42	30	11	30	19 600	32 500	32 800	82 500	6 000	42.7
35	NKXR 35	157	NKXR 35 Z	165	35	47	30	12	35	20 500	39 600	36 800	96 000	5 500	47.7
40	NKXR 40	204	NKXR 40 Z	214	40	52	32	13	40	22 300	44 500	54 000	13 900	4 800	55.7
45	NKXR 45	244	NKXR 45 Z	260	45	58	32	14	45	24 500	50 980	57 500	14 800	4 400	60.6
50	NKXR 50	268	NKXR 50 Z	288	50	62	35	14	50	34 800	70 800	60 500	16 900	4 000	65.5

轴向保持架由塑料制成，允许工作温度：120℃连续；180℃短期。

1) 最小的轴向负荷， $F_a = C_r$ (轴向) 的1%到2%。

2) 脂润滑极限转速为表列数值的25%。

3) 内圈和止动环必须分别订购。

The axial cages are made of plastic, permissible operating temperature: 120℃(continuous operation).

1) Minimum axial load $F_a = 1\%$ to 2% of the axial dynamic load rating C_r .

2) Limiting speed for oil lubrication.

With grease lubrication, 25% of the values given in the table is permissible.

3) Inner rings and snag ring grooves must be ordered separately.

■ 滚针-推力滚针轴承

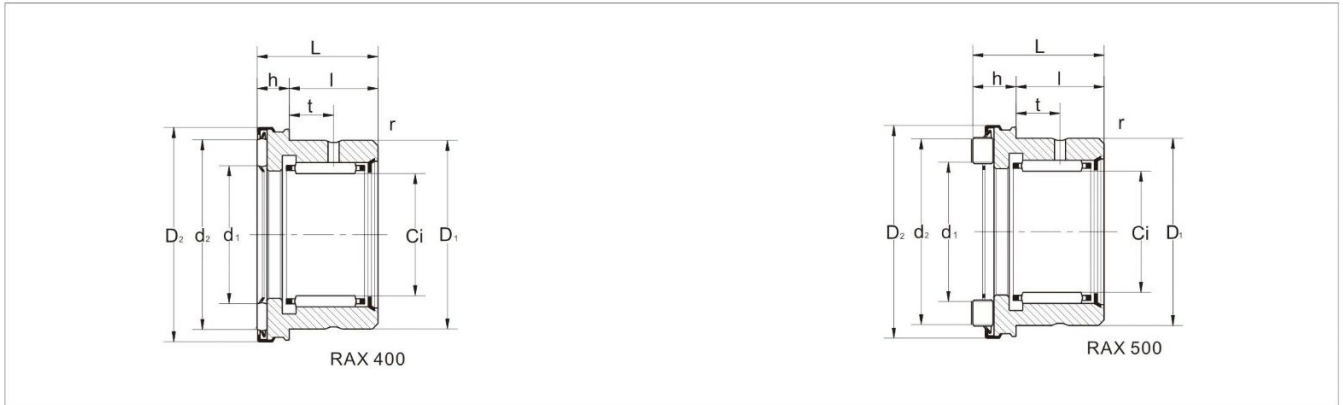
Needle roller-needle roller thrust bearings



轴径 Shaft Diameter	轴承型号 Bearing Designation		外形尺寸 Boundary Dimensions								基本额定负荷 Basic Load Rating				极限转速 Limiting Speed	重量 Mass	
	RAX700 系列	RAXF700 系列	Ci	D ₁	D ₂ max	l	h	L	d ₁	d ₂	径向 Radial		轴向 Axial				
											动 Dyn. Cr	静 Stat. Cor	动 Dyn. Ca	静 Stat. Coa			
mm			mm								N				rpm	g	
5	RAX705	-	5	9	15.5	7.7	3.3	11	7.2	11.2	1 720	1 560	2 520	5 080	25 000	4.5	-
12	RAX712	RAXF712	12	18	27.5	10	4.2	14.2	15	22.6	5 040	5 760	5 520	14 100	13 000	16.5	17.5
14	RAX714	RAXF714	14	20	29.5	10	4.2	14.2	17	24.6	5 520	6 800	5 920	16 000	11 500	18	20
15	RAX715	RAXF715	15	21	31.5	10	4.2	14.2	19	26.6	5 920	7 440	6 240	17 600	10 500	20	22
18	RAX718	RAXF718	18	24	33.5	14	4.2	18.2	21	28.6	9 200	14 100	7 200	18 400	10 000	27	30
20	RAX720	RAXF720	20	26	36.5	14	4.2	18.2	22	31.6	9 760	15 600	9 400	31 200	9 000	31	35
25	RAX725	RAXF725	25	33	45.5	18	4.2	22.2	30	39.6	16 400	25 600	10 900	40 600	7 200	55	60
30	RAX730	RAXF730	30	38	50.5	18	4.2	22.2	35	44.7	17 800	30 000	11 900	54 000	6 300	63	70
35	RAX735	RAXF735	35	43	56.5	18	4.2	22.2	39	50.9	19 600	36 000	15 500	70 400	5 500	75	84
40	RAX740	RAXF740	40	48	61.5	18	4.2	22.2	43	54.9	20 900	40 800	16 300	76 800	5 000	86	96
45	RAX745	RAXF745	45	52	66.5	18	4.2	22.2	48	59.9	19 800	44 000	17 400	87 200	4 500	88	99

■ 滚针-推力圆柱滚子轴承

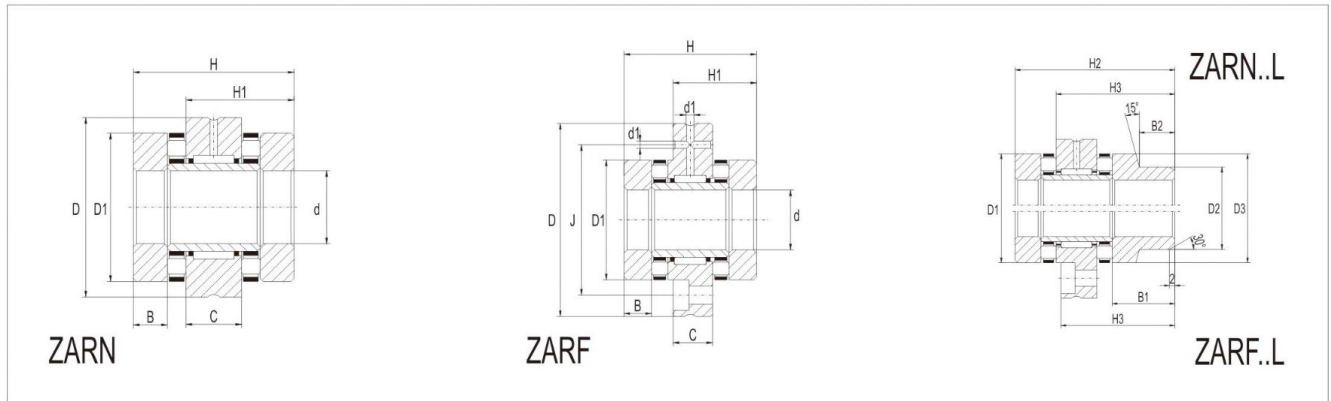
Needle roller-cylindrical roller thrust bearings



轴径 Shaft Diameter	轴承型号 Bearing Designation		外形尺寸 Boundary Dimensions										基本额定负荷 Basic Load Rating				极限转速 Limiting Speed	重量 Mass
	RAX400 系列	RAX500 系列	Ci	D _i	D _{2 max}	l	h	L	t	r _{mini}	d ₁	d ₂	径向 Radial		轴向 Axial			
													动 Dyn. Cr	静 Stat. Cor	动 Dyn. Ca	静 Stat. Coa		
mm			mm										N				rpm	g
10	RAX410	-	10	19	22	14	5	19	6	0.35	12	18.6	4 800	5 700	4 000	9 800	15 500	25
	-	RAX510	10	19	22	14	5.5	19.5	6	0.35	12.2	18.5	4 800	5 700	6 500	14 300	15 500	26
12	RAX412	-	12	21	26	14	5	19	6	0.35	15	22.6	5 200	6 700	5 600	14 800	13 000	32
	-	RAX512	12	21	26	14	6	20	6	0.35	14.8	22.9	5 200	6 700	10 100	23 600	13 000	33
15	RAX415	-	15	24	28	14	5	19	6	0.35	17	24.6	7 500	9 300	6 000	16 600	11 500	34
	-	RAX515	15	24	28	14	6	20	6	0.35	16.8	24.9	7 500	9 300	11 200	27 200	11 500	36
17	RAX417	-	17	26	30	16	5	21	8	0.65	19	26.6	9 400	13 000	6 400	18 400	10 500	41
	-	RAX517	17	26	30	16	6	22	8	0.65	18.8	26.9	9 400	13 000	12 000	31 200	10 500	44
20	RAX420	-	20	30	35	18	6	24	9	0.85	22	31.6	11 700	18 200	9 400	31 200	9 000	66
	-	RAX520	20	30	35	18	8	26	9	0.85	22	31.6	11 700	18 200	17 600	43 200	9 000	70
25	RAX425	-	25	37	42	18	6	24	9	0.85	27.7	37.4	12 800	22 000	10 600	39 200	7 500	99
	-	RAX525	25	37	42	18	8	26	9	0.85	27.7	37.4	12 800	22 000	20 400	63 000	7 500	105
30	RAX430	-	30	42	47	18	6	24	9	0.85	32.7	42.4	16 400	27 200	11 600	45 600	6 500	111
	-	RAX530	30	42	47	18	8	26	9	0.85	32.7	42.3	16 400	27 200	21 200	61 600	6 500	118
35	RAX435	-	35	47	53	18	6	24	9	0.85	37.2	49	17 600	31 600	15 100	67 200	5 500	130
	-	RAX535	35	47	53.4	18	9	27	9	0.85	37.8	47.8	17 600	31 600	27 000	75 200	5 500	146
40	RAX440	-	40	52	60	18	6	24	9	0.85	43	54.9	19 000	36 000	16 300	76 800	5 000	150
	-	RAX540	40	52	60.4	18	10	28	9	0.85	42.8	54.8	19 000	36 000	36 800	103 200	5 000	174
45	RAX445	-	45	58	65	18	6	24	9	0.85	48	59.9	20 200	40 800	17 400	87 200	4 500	179
	-	RAX545	45	58	65.4	18	10	28	9	0.85	47.8	59.8	20 200	40 800	39 200	114 400	4 500	206
50	RAX450	-	50	62	70	21	6	27	11	1.3	53.3	65.7	22 600	48 800	18 000	94 400	4 000	205
	-	RAX550	50	62	70.4	21	10	31	11	1.3	52.8	64.8	22 600	48 800	40 800	125 600	4 000	232
60	RAX460	-	60	72	85	21	7	28	11	1.3	63.5	79.2	24 800	57 600	25 200	154 400	3 500	282
	-	RAX560	60	72	85.4	21	11	32	11	1.3	63.5	79.5	24 800	57 600	56 800	204 000	3 500	327
70	RAX470	-	70	85	95	21	7	28	11	1.3	75.5	89.2	30 000	68 800	27 600	178 400	3 000	386
	-	RAX570	70	85	95.4	21	11	32	11	1.3	75.5	89.5	30 000	68 800	61 600	236 000	3 000	435

■ 滚针-推力圆柱滚子轴承

Needle roller-cylindrical roller thrust bearings



外径 Outside Diameter	轴承型号与近似重量 Bearing Designation and mass approx				外形尺寸 Boundary Dimensions														
	型号 Designation	重量 Mass kg	型号 Designation	重量 Mass kg	d	D	H	H ₁	H ₂	H ₃	C	D ₁	D ₂	D ₃	B	B ₁	B ₂	d ₁	J
	mm																		
15	ZARN 1545 TN	0.34	ZARN 1 545 L TN	0.37	15	45	40	28	53	41	16	35	24	34	7.5	20.5	11	-	-
	ZARF 1560 TN	0.42	ZARF 1 560 L TN	0.45	15	60	40	26	53	39	14	35	24	34	7.5	20.5	11	3.2	46
17	ZARN 1747 TN	0.34	ZARN 1 747 L TN	0.41	17	47	43	29.5	57	43.5	16	38	28	38	9	23	11	-	-
	ZARF 1762 TN	0.49	ZARF 1 762 L TN	0.52	17	62	43	27.5	57	41.5	14	38	28	38	9	23	11	3.2	48
20	ZARN 2052 TN	0.41	ZARN 2 052 L TN	0.46	20	52	46	31	60	45	16	42	30	40	10	24	11	-	-
	ZARF 2068 TN	0.56	ZARF 2 068 L TN	0.61	20	68	46	29	60	43	14	42	30	40	10	24	11	3.2	53
25	ZARN 2557 TN	0.53	ZARN 2 557 L TN	0.59	25	57	50	35	65	50	20	47	36	45	10	25	11	-	-
	ZARF 2575 TN	0.78	ZARF 2 575 L TN	0.84	25	75	50	33	65	48	18	47	36	45	10	25	11	3.2	58
30	ZARN 3062 TN	0.60	ZARN 3 062 L TN	0.75	30	62	50	35	65	50	20	52	40	50	10	25	11	-	-
	ZARF 3080 TN	0.85	ZARF 3 080 L TN	0.90	30	80	50	33	65	48	18	52	40	50	10	25	11	3.2	63
35	ZARN 3570 TN	0.80	ZARN 3 570 L TN	0.93	35	70	54	37	70	53	20	60	45	58	11	27	12	-	-
	ZARF 3590 TN	1.12	ZARF 3 590 L TN	1.25	35	90	54	35	70	51	18	60	45	58	11	27	12	3.2	73
40	ZARN 4075 TN	0.90	ZARN 4 075 L TN	1.00	40	75	54	37	70	53	20	65	50	63	11	27	12	-	-
	ZARF 40100 TN	1.35	ZARF 40 100 L TN	1.45	40	100	54	35	70	51	18	65	50	63	11	27	12	3.2	80
45	ZARN 4580 TN	1.12	ZARN 4 580 L TN	1.27	45	80	60	42.5	75	57.5	25	70	56	68	11.5	26.5	12	-	-
	ZARF 45105 TN	1.70	ZARF 45 105 L TN	1.85	45	105	60	40	75	55	22.5	70	56	68	11.5	26.5	12	6	85
50	ZARN 5090 TN	1.43	ZARN 5 090 L TN	1.78	50	90	60	42.5	78	60.5	25	78	60	78	11.5	29.5	12	-	-
	ZARF 50115 TN	2.10	ZARF 50 115 L TN	2.45	50	115	60	40	78	58	22.5	78	60	78	11.5	29.5	12	6	94